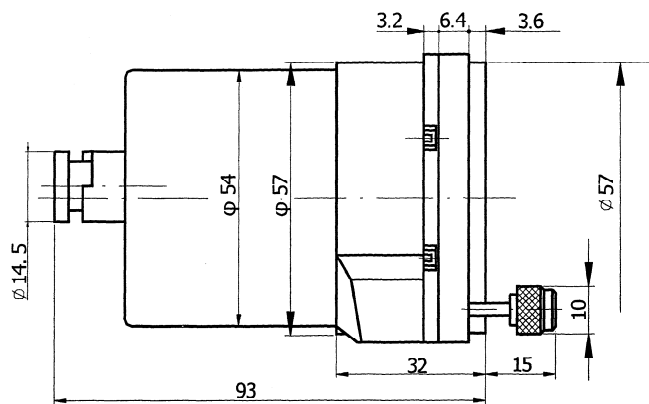
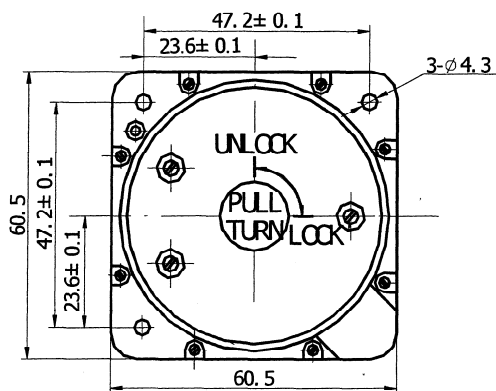


A



View A



2 1/4"

- GM510-2
- GM25-2
- GM510-2-AA
- GM510-2A
- GM510-2C-A2
- GM510-2C

Falcongauge Accelerometer