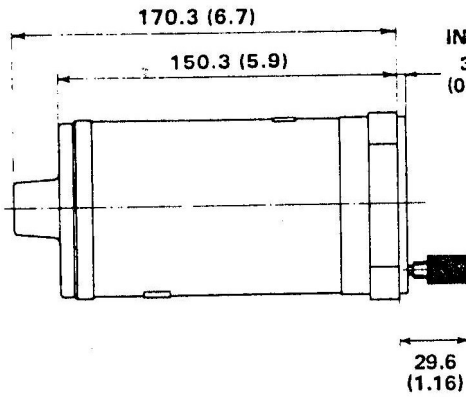
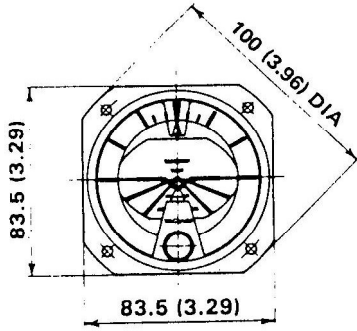
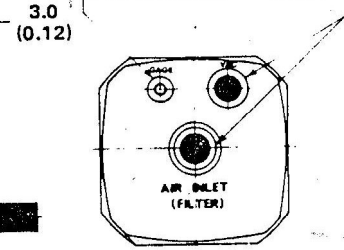


Dimensions: millimeters (inches)



INTERNAL THREAD 1/4 NPT

INTERNAL THREAD 1/8-27 NPT



PANEL CUT-OUT (FOR REAR MOUNTING)

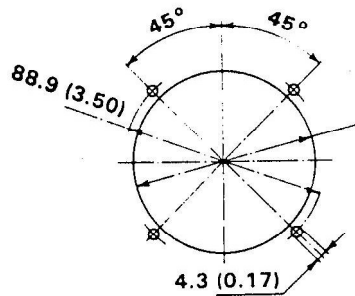


Figure 1.3-1. Outline Drawing

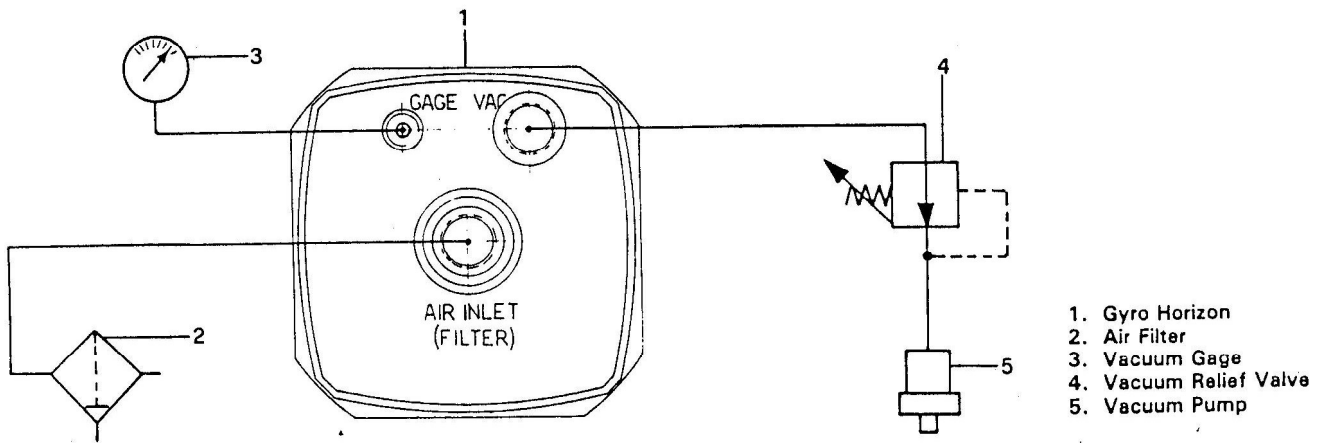


Figure 1.3-2. Installation Scheme - Typical