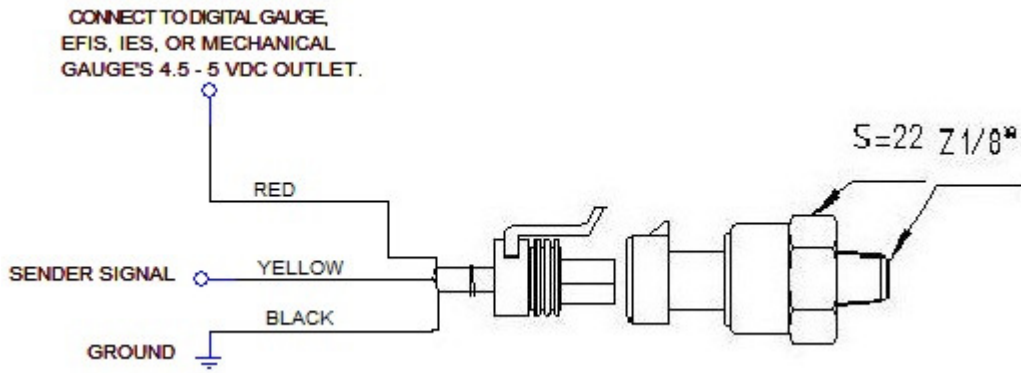


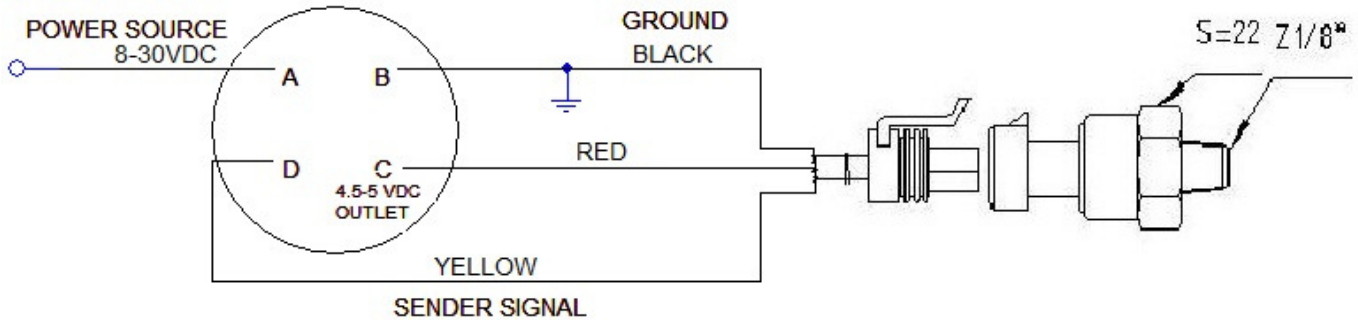
FALCON GAUGE OIL PRESSURE SENDERS



(Sender can be used to hook up to any gauge as long as it has a 4.5-5 VDC outlet.)

Size	Model No.	Description	
Z1/8"	OPS-100	0-100 PSI (≈7bar)@0.5-4.5V	Solid state type sender, No moving parts to wear out, A burst rating of 3X rated pressure range.
Z1/8"	OPS-150	0-150 PSI (≈10bar)@0.5-4.5V	Provide 0.5-4.5 VDC output. Sender's working voltage is 5 VDC.

FOR FALCON GAUGE SINGLE PRESSURE GAUGE CONNECTION



FOR FALCON GAUGE DUAL PRESSURE/TEMPERATURE GAUGE CONNECTION

